

PARTS LIST

CAUTION

- The parts identified by the \triangle symbol are important for the safety. Whenever replacing these parts, be sure to use specified ones to secure the safety .
- The parts not indicated in this Parts List and those which are filled with lines — in the Parts No. columns will not be supplied.
- P. W. Board Ass'y will not be supplied, but those which are filled with the Parts No. in the Parts No. columns will be supplied.

ABBREVIATIONS OF RESISTORS, CAPACITORS AND TOLERANCES

RESISTORS		CAPACITORS	
C R	Carbon Resistor	C CAP.	Ceramic Capacitor
F R	Fusible Resistor	E CAP.	Electrolytic Capacitor
P R	Plate Resistor	M CAP.	Mylar Capacitor
V R	Variable Resistor	HV CAP.	High Voltage Capacitor
HV R	High Voltage Resistor	MF CAP.	Metalized Film Capacitor
MF R	Metal Film Resistor	MM CAP.	Metalized Mylar Capacitor
MG R	Metal Glazed Resistor	MP CAP.	Metalized Polystyrol Capacitor
MP R	Metal Plate Resistor	PP CAP.	Polypropylene Capacitor
OM R	Metal Oxide Film Resistor	PS CAP.	Polystyrol Capacitor
CMF R	Coating Metal Film Resistor	TF CAP.	Thin Film Capacitor
UNF R	Non-Flammable Resistor	MPP CAP.	Metalized Polypropylene Capacitor
CH V R	Chip Variable Resistor	TAN. CAP.	Tantalum Capacitor
CH MG R	Chip Metal Glazed Resistor	CH C CAP.	Chip Ceramic Capacitor
COMP. R	Composition Resistor	BP E CAP.	Bi-Polar Electrolytic Capacitor
LPTC R	Linear Positive Temperature Coefficient Resistor	CH AL E CAP.	Chip Aluminum Electrolytic Capacitor
		CH AL BP CAP.	Chip Aluminum Bi-Polar Capacitor
		CH TAN. E CAP.	Chip Tantalum Electrolytic Capacitor
		CH AL BP E CAP.	Chip Tantalum Bi-Polar Electrolytic Capacitor

TOLERANCES									
F	G	J	K	M	N	R	H	Z	P
±1%	±2%	±5%	±10%	±20%	±30%	+30% -10%	+50% -10%	+80% -20%	+100% -0%

CONTENTS

■ USING PW BOARD & REMOTE CONTROL UNIT	32
■ EXPLODED VIEW PARTS LIST	33, 34
■ EXPLODED VIEW	33, 35
■ PRINTED WIRING BOARD PARTS LIST	
AV28WH5EUS / AV28WH5EUB	
● MAIN PW BOARD ASS'Y	36
● POWER & DEF. PW BOARD ASS'Y	38
● CRT SOCKET PW BOARD ASS'Y	40
● FRONT CONTROL PW BOARD ASS'Y	41
● MICON PW BOARD ASS'Y	41
● AV SW PW BOARD ASS'Y	42
● 100Hz PW BOARD ASS'Y	43
■ REMOTE CONTROL UNIT PARTS LIST	45
■ PACKING	46
■ PACKING PARTS LIST	46

USING PW BOARD & REMOTE CONTROL UNIT

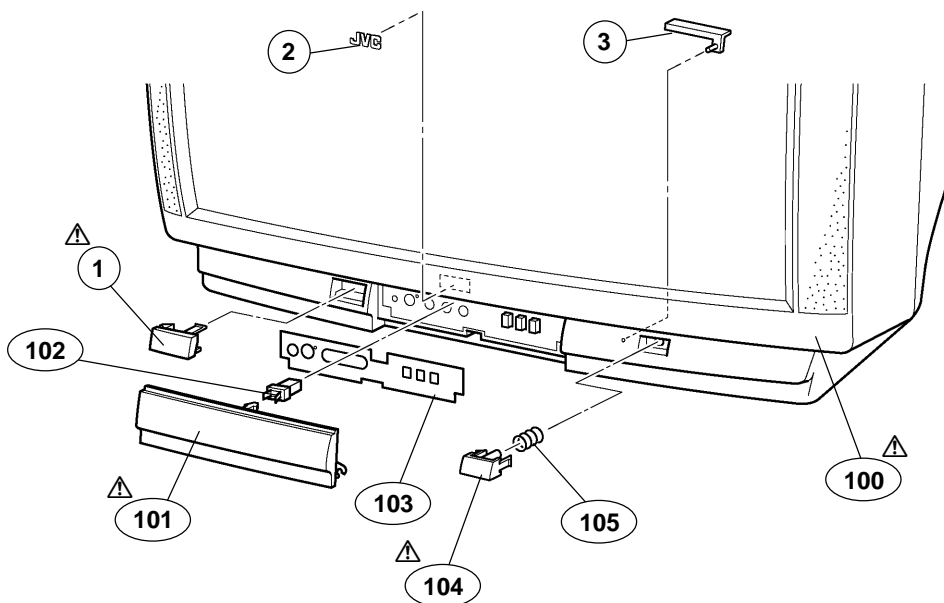
PWB ASS'Y	Model	
	AV28WH5EUS	AV28WH5EUB
MAIN PWB	SMF-1008A-U2	←
POWER & DEF. PWB	SMF-2004A-U2	←
CRT SOCKET PWB	SMF-3005A-U2	←
FRONT CONTROL PWB	SMF-8005A-U2	←
MICON PWB	SMF0M001A-U2	←
AV SW PWB	SMF0S003A-U2	←
100Hz PWB	SMF0Z005A-U2	←
REMOTE CONTROL UNIT	RM-C54-1C	RM-C50-1C

EXPORTED VIEW PARTS LIST (1)

Ref.No.	Part No.	Part Name	Description
AV28WH5EUS			
△ 1	CM48076-A01	CDS WINDOW	
2	CM48125-010	JVC MARK	
3	CM36223-A01	L.E.D.LENS	
△ 100	CM12833-00P-E	F.CABINET ASSY	Inc.No.101~105 (SERVICE)
△ 101	CM22898-020-E	DOOR	
102	CM48229-00A-C	DOOR LATCH	
103	CM36224-020-E	OPERATION SHEET	
△ 104	CM36225-014-E	POWER KNOB	(SERVICE)
105	AEM3149-001-E	SPRING	

AV28WH5EUB			
△ 1	CM48076-A01	CDS WINDOW	
2	CM48125-005	JVC MARK	
3	CM36223-A01	L.E.D.LENS	
△ 100	CM12833-00Q-E	F.CABINET ASSY	Inc.No.101~105 (SERVICE)
△ 101	CM22898-015-E	DOOR	
102	CM48229-00A-C	DOOR LATCH	
103	CM36224-020-E	OPERATION SHEET	
△ 104	CM36225-A10-E	POWER KNOB	(SERVICE)
105	AEM3149-001-E	SPRING	

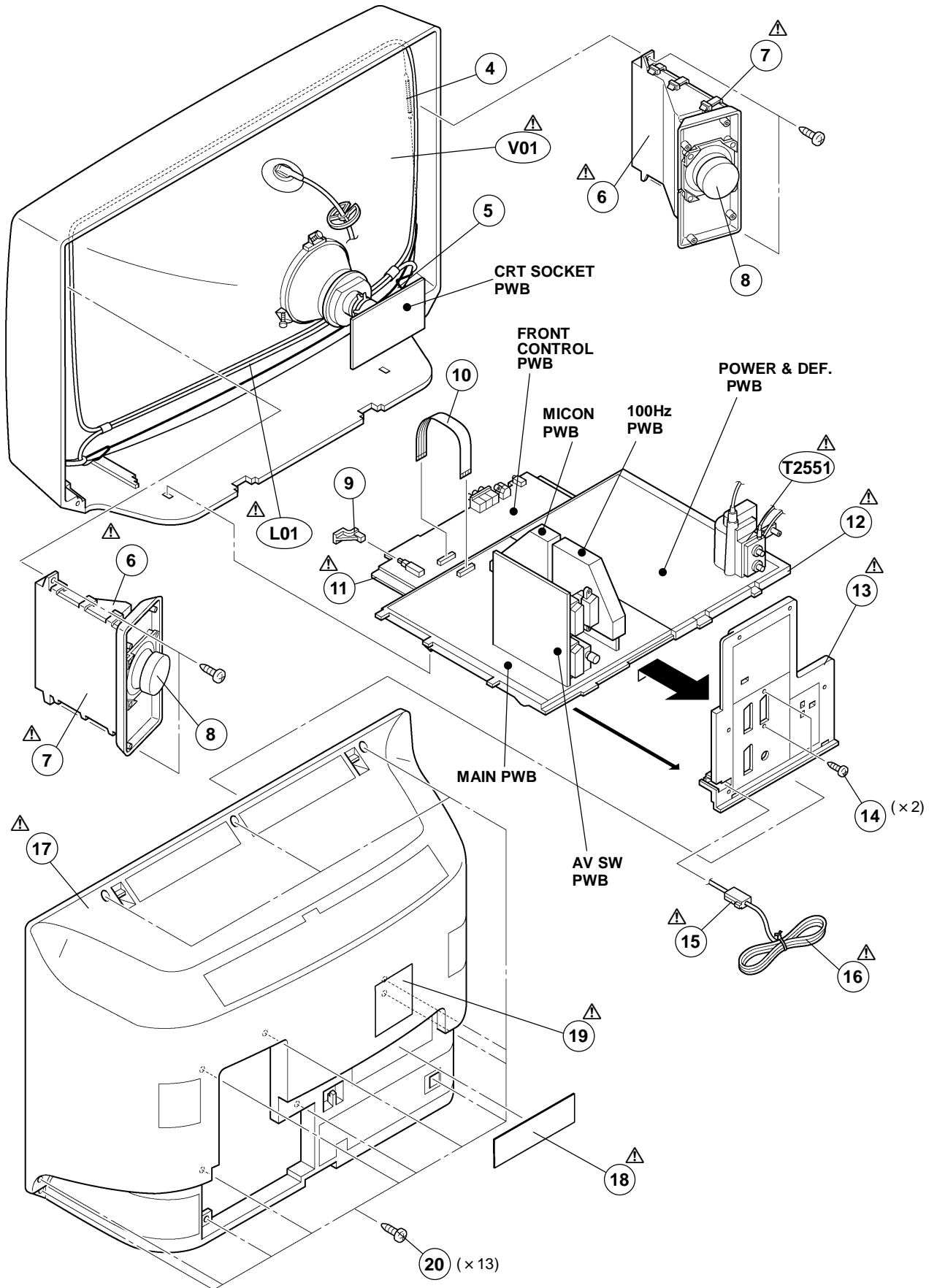
EXPLODED VIEW (1)



EXPLODED VIEW PARTS LIST (2)

△ Ref.No.	Part No.	Part Name	Description
AV28WH5EUS			
△ V01	W66EHK51X81	CRT(ITC)	Inc.DY, PC MAGNET, WEDGE
△ L01	QQW0035-001	DEG.COIL	
△ T2551	QQH0095-001	FBT	
4	WJY0001-011A	E-BRAIDED ASSY	
5	WJY0013-003A	E-BRAIDED ASSY(SUB)	
△ 6	CM12463-D01-E	HORN PANEL	(×2)
△ 7	CM12464-D01-E	HORN PANEL	(×2)
8	QAS0074-001	SPEAKER	(×2)SP01,SP02
9	CM36311-001	KNOB CAP	
10	CHFD125-06BD	FFC WIRE	
△ 11	CM12931-A01-E	CONTROL BASE	
△ 12	LC11019-001B-U	CHASSIS BASE	
△ 13	LC11020-001C-U	AV BOARD	
14	QYSBSB3012M	TAPPING SCREW	(×2)For AV BOARD
△ 15	CM46618-A01-E	POWER CORD CLAMP	
△ 16	QMPK160-185-JC	POWER CORD	(CN-PW)
△ 17	CM12582-A05-E	REAR COVER	
△ 18	LC20784-001A-U	RATING LABEL	
△ 19	LC20785-001A-U	RATING LABEL	
20	QYSBSAG4016N	TAPPING SCREW	(×13)For REAR COVER
AV28WH5EUB			
△ V01	W66EHK51X81	CRT(ITC)	Inc.DY, PC MAGNET, WEDGE
△ L01	QQW0035-001	DEG.COIL	
△ T2551	QQH0095-001	FBT	
4	WJY0001-011A	E-BRAIDED ASSY	
5	WJY0013-003A	E-BRAIDED ASSY(SUB)	
△ 6	CM12463-D01-E	HORN PANEL	(×2)
△ 7	CM12464-D01-E	HORN PANEL	(×2)
8	QAS0074-001	SPEAKER	(×2)SP01,SP02
9	CM36311-001	KNOB CAP	
10	CHFD125-06BD	FFC WIRE	
△ 11	CM12931-A01-E	CONTROL BASE	
△ 12	LC11019-001B-U	CHASSIS BASE	
△ 13	LC11020-001C-U	AV BOARD	
14	QYSBSB3012M	TAPPING SCREW	(×2)For AV BOARD
△ 15	CM46618-A01-E	POWER CORD CLAMP	
△ 16	QMPK160-185-JC	POWER CORD	(CN-PW)
△ 17	CM12582-B04-E	REAR COVER	
△ 18	LC20784-002A-U	RATING LABEL	
△ 19	LC20785-002A-U	RATING LABEL	
20	QYSBSAG4016N	TAPPING SCREW	(×13)For REAR COVER

EXPLODED VIEW (2)



AV28WH5EUS / AV28WH5EUB

PRINTED WIRING BOARD PARTS LIST

■ MAIN P.W. BOARD ASS'Y (SMF-1008A-U2)

△ Symbol No.	Part No.	Part Name	Description
RESISTOR			
R1004-05	NRSA63J-101X	MG R	100Ω 1/16W J
R1008-09	NRSA63J-0ROX	MG R	0.0Ω 1/16W J
R1101	NRSA63J-102X	MG R	1kΩ 1/16W J
R1102	NRSA63J-181X	MG R	180Ω 1/16W J
R1103	NRSA63J-222X	MG R	2.2kΩ 1/16W J
R1104	NRSA63J-102X	MG R	1kΩ 1/16W J
R1105	NRSA63J-331X	MG R	330Ω 1/16W J
R1106	NRSA63J-270X	MG R	27Ω 1/16W J
R1107	NRSA63J-271X	MG R	270Ω 1/16W J
R1108	NRSA63J-102X	MG R	1kΩ 1/16W J
R1109-11	NRSA63J-101X	MG R	100Ω 1/16W J
R1151	NRSA63J-101X	MG R	100Ω 1/16W J
R1153	NRSA63J-101X	MG R	100Ω 1/16W J
R1156	NRSA63J-0ROX	MG R	0.0Ω 1/16W J
R1158	NRSA63J-0ROX	MG R	0.0Ω 1/16W J
R1301-02	NRSA63J-101X	MG R	100Ω 1/16W J
R1303	NRSA63J-273X	MG R	27kΩ 1/16W J
R1304	NRSA63J-0ROX	MG R	0.0Ω 1/16W J
R1311	NRSA63J-331X	MG R	330Ω 1/16W J
R1312	NRSA63J-273X	MG R	27kΩ 1/16W J
R1313	NRSA63J-183X	MG R	18kΩ 1/16W J
R1314	NRSA63J-221X	MG R	220Ω 1/16W J
R1315-17	NRSA63J-101X	MG R	100Ω 1/16W J
R1318	NRSA63J-562X	MG R	5.6kΩ 1/16W J
R1319	NRSA63J-183X	MG R	18kΩ 1/16W J
R1321-22	NRSA63J-0ROX	MG R	0.0Ω 1/16W J
R1401-02	NRSA63J-102X	MG R	1kΩ 1/16W J
R1403-04	NRSA63J-331X	MG R	330Ω 1/16W J
R1405-06	NRSA63J-102X	MG R	1kΩ 1/16W J
R1451	NRSA63J-821X	MG R	820Ω 1/16W J
R1454	NRSA63J-472X	MG R	4.7kΩ 1/16W J
R1455-56	NRSA63J-123X	MG R	12kΩ 1/16W J
R1457	NRSA63J-392X	MG R	3.9kΩ 1/16W J
R1458	NRSA63J-123X	MG R	12kΩ 1/16W J
R1459	NRSA63J-472X	MG R	4.7kΩ 1/16W J
R1461-62	NRSA63J-123X	MG R	12kΩ 1/16W J
R1465-66	NRSA63J-224X	MG R	220kΩ 1/16W J
R1467	NRSA63J-563X	MG R	56kΩ 1/16W J
R1468	NRSA63J-224X	MG R	220kΩ 1/16W J
R1469	NRSA63J-683X	MG R	68kΩ 1/16W J
R1470	NRSA63J-223X	MG R	22kΩ 1/16W J
R1471	NRSA63J-273X	MG R	27kΩ 1/16W J
R1472	NRSA63J-682X	MG R	6.8kΩ 1/16W J
R1473	NRSA63J-273X	MG R	27kΩ 1/16W J
R1474	NRSA63J-563X	MG R	56kΩ 1/16W J
R1475	NRSA63J-153X	MG R	15kΩ 1/16W J
R1476-78	NRSA63J-123X	MG R	12kΩ 1/16W J
R1479	NRSA63J-154X	MG R	150kΩ 1/16W J
R1480	NRSA63J-823X	MG R	82kΩ 1/16W J
R1481	NRSA63J-472X	MG R	4.7kΩ 1/16W J
R1482	NRSA63J-272X	MG R	2.7kΩ 1/16W J
R1483	NRSA63J-472X	MG R	4.7kΩ 1/16W J
R1484	NRSA63J-473X	MG R	47kΩ 1/16W J
R1485	NRSA63J-123X	MG R	12kΩ 1/16W J
R1486	NRSA63J-472X	MG R	4.7kΩ 1/16W J
R1487	NRSA63J-273X	MG R	27kΩ 1/16W J
R1489	NRSA63J-333X	MG R	33kΩ 1/16W J
R1491	NRSA63J-332X	MG R	3.3kΩ 1/16W J
R1492	NRSA63J-562X	MG R	5.6kΩ 1/16W J
R1501	NRSA63J-0ROX	MG R	0.0Ω 1/16W J
R1504	NRSA63J-102X	MG R	1kΩ 1/16W J
R1511	NRSA63J-152X	MG R	1.5kΩ 1/16W J
R1512	NRSA63J-332X	MG R	3.3kΩ 1/16W J
R1521	NRSA63J-223X	MG R	22kΩ 1/16W J
R1522	NRSA63J-562X	MG R	5.6kΩ 1/16W J
R1591	NRSA63J-561X	MG R	560Ω 1/16W J

△ Symbol No.	Part No.	Part Name	Description
RESISTOR			
R1592	NRSA63J-332X	MG R	3.3kΩ 1/16W J
R1601	NRSA63J-562X	MG R	5.6kΩ 1/16W J
R1602	NRSA63J-822X	MG R	8.2kΩ 1/16W J
R1603	NRSA63J-562X	MG R	5.6kΩ 1/16W J
R1604	NRSA63J-822X	MG R	8.2kΩ 1/16W J
R1605	NRSA63J-473X	MG R	47kΩ 1/16W J
R1606	NRSA63J-273X	MG R	27kΩ 1/16W J
R1609	NRSA63J-104X	MG R	100kΩ 1/16W J
R1610	NRSA63J-682X	MG R	6.8kΩ 1/16W J
R1618	NRSA63J-333X	MG R	33kΩ 1/16W J
R1619	NRSA63J-104X	MG R	100kΩ 1/16W J
R1620	NRSA63J-562X	MG R	5.6kΩ 1/16W J
R1637	QRK126J-2R2X	C R	2.2Ω 1/2W J
R1639	NRSA63J-561X	MG R	560Ω 1/16W J
R1649	QRK126J-2R2X	C R	2.2Ω 1/2W J
R1654-56	NRSA63J-0ROX	MG R	0.0Ω 1/16W J
R1666-69	NRSA63J-0ROX	MG R	0.0Ω 1/16W J
R1684	NRSA63J-0ROX	MG R	0.0Ω 1/16W J
R1687	NRSA63J-0ROX	MG R	0.0Ω 1/16W J
R1693	NRSA63J-0ROX	MG R	0.0Ω 1/16W J
R1701-02	NRSA63J-103X	MG R	10kΩ 1/16W J
R1703-04	NRSA63J-102X	MG R	1kΩ 1/16W J
R1705-08	NRSA63J-103X	MG R	10kΩ 1/16W J
R1711-12	NRSA63J-101X	MG R	100Ω 1/16W J
R1714-15	NRSA63J-102X	MG R	1kΩ 1/16W J
R1716-17	NRSA63J-0ROX	MG R	0.0Ω 1/16W J
R1720-22	NRSA63J-102X	MG R	1kΩ 1/16W J
R1772-76	NRSA63J-221X	MG R	220Ω 1/16W J
R1951	QRK126J-220X	C R	22Ω 1/2W J
CAPACITOR			
C1001	NCB31HK-222X	CHIP CAP.	2200pF 50V K
C1002	QETN1HM-106Z	E CAP.	10μF 50V M
C1004	NCB31CK-104X	CHIP CAP.	0.1μF 16V K
C1005	QETN1CM-108Z	E CAP.	1000μF 16V M
C1006	NCB31HK-103X	C CAP.	0.01μF 50V K
C1007	QETN1HM-106Z	E CAP.	10μF 50V M
C1009	NCB31CK-104X	CHIP CAP.	0.1μF 16V K
C1010	QETN1HM-106Z	E CAP.	10μF 50V M
C1101	NCB31CK-104X	CHIP CAP.	0.1μF 16V K
C1102	QETN1HM-106Z	E CAP.	10μF 50V M
C1103	NCB31CK-104X	CHIP CAP.	0.1μF 16V K
C1104	QETN1CM-107Z	E CAP.	100μF 16V M
C1105	QETN1HM-106Z	E CAP.	10μF 50V M
C1106-07	NCB31CK-104X	CHIP CAP.	0.1μF 16V K
C1111	NDC31HJ-821X	C CAP.	820pF 50V J
C1112-13	NDC31HJ-470X	C CAP.	47pF 50V J
C1114	NDC31HJ-180X	C CAP.	18pF 50V J
C1115-16	NCB31HK-472X	C CAP.	4700pF 50V K
C1117-18	NCB31HK-103X	C CAP.	0.01μF 50V K
C1119-20	NDC31HJ-2R0X	C CAP.	2.0pF 50V J
C1121	NCB31HK-103X	C CAP.	0.01μF 50V K
C1122-23	NDC31HJ-102X	C CAP.	1000pF 50V J
C1124-25	QETN1HM-106Z	E CAP.	10μF 50V M
C1126	NCB31CK-104X	CHIP CAP.	0.1μF 16V K
C1127	QETN1HM-106Z	E CAP.	10μF 50V M
C1128	NCB31CK-104X	CHIP CAP.	0.1μF 16V K
C1129	NCF31AZ-105X	C CAP.	1μF 10V Z
C1130	QETN1HM-106Z	E CAP.	10μF 50V M
C1151-54	NCF31AZ-105X	C CAP.	1μF 10V Z
C1155-56	NDC31HJ-102X	C CAP.	1000pF 50V J
C1301	QETN1CM-107Z	E CAP.	100μF 16V M
C1302-03	NCB31CK-104X	CHIP CAP.	0.1μF 16V K
C1305-09	NCB31CK-104X	CHIP CAP.	0.1μF 16V K
C1310	QETN1AM-228Z	E CAP.	2200μF 10V M
C1311	NCB31CK-683X	CHIP CAP.	0.068μF 16V K

△ Symbol No.	Part No.	Part Name	Description
CAPACITOR			
C1312	NDC31HJ-221X	C CAP.	220pF 50V J
C1313-15	NCB31HK-223X	CHIP CAP.	0.022μF 50V K
C1316-18	NCB31HK-103X	C CAP.	0.01μF 50V K
C1320	QETN0JM-228Z	E CAP.	2200μF 6.3V M
C1321-23	NCB31HK-223X	CHIP CAP.	0.022μF 50V K
C1324	NDC31HJ-820X	C CAP.	82pF 50V J
C1351	QENC1EM-106Z	BP E CAP.	10μF 25V M
C1401	NCB31CK-104X	CHIP CAP.	0.1μF 16V K
C1402	QETN1CM-107Z	E CAP.	100μF 16V M
C1403-04	NCB31CK-104X	CHIP CAP.	0.1μF 16V K
C1453	NCB31HK-103X	C CAP.	0.01μF 50V K
C1454	NCB31EK-333X	CHIP CAP.	0.033μF 25V K
C1455-56	NCB31CK-104X	CHIP CAP.	0.1μF 16V K
C1457	NCB31EK-333X	CHIP CAP.	0.033μF 25V K
C1471	NCB31CK-104X	CHIP CAP.	0.1μF 16V K
C1472	NCB31HK-103X	C CAP.	0.01μF 50V K
C1473	NCB31CK-104X	CHIP CAP.	0.1μF 16V K
C1474	NCB31EK-333X	CHIP CAP.	0.033μF 25V K
C1475	NCB31CK-104X	CHIP CAP.	0.1μF 16V K
C1491	NCB31EK-473X	CHIP CAP.	0.047μF 25V K
C1501-02	NDC31HJ-150X	C CAP.	15pF 50V J
C1521	NCB31HK-103X	C CAP.	0.01μF 50V K
C1564	QFV71HJ-104Z	MF CAP.	0.1μF 50V J
C1591	NDC31HJ-471X	C CAP.	470pF 50V J
C1606-07	QETN1CM-227Z	E CAP.	220μF 16V M
C1616	QETN1HM-105Z	E CAP.	1μF 50V M
C1618	QETN1HM-105Z	E CAP.	1μF 50V M
C1628	QETN1HM-107Z	E CAP.	100μF 50V M
C1629	QETN1HM-106Z	E CAP.	10μF 50V M
C1630	NCF21HZ-224X	C CAP.	0.22μF 50V Z
C1632	NCF21HZ-224X	C CAP.	0.22μF 50V Z
C1634	QETN1HM-228	E CAP.	2200μF 50V M
C1641-42	NCF21HZ-224X	C CAP.	0.22μF 50V Z
C1648-49	QETN1VM-108	E CAP.	1000μF 35V M
C1673-74	NRSA63J-0ROX	MG R	0.0Ω 1/16W J
C1678-79	NRSA63J-0ROX	MG R	0.0Ω 1/16W J
C1680	NRSA63J-392X	MG R	3.9kΩ 1/16W J
C1686	NRSA63J-392X	MG R	3.9kΩ 1/16W J
C1691	NCB31HK-222X	CHIP CAP.	2200pF 50V K
C1695	NRSA63J-0ROX	MG R	0.0Ω 1/16W J
C1696	NCB31HK-222X	CHIP CAP.	2200pF 50V K
C1698	NRSA63J-0ROX	MG R	0.0Ω 1/16W J
C1699	NCB31HK-103X	C CAP.	0.01μF 50V K
C1701	QETN1HM-106Z	E CAP.	10μF 50V M
C1702	NCB31CK-563X	CHIP CAP.	0.056μF 16V K
C1951	QETN1CM-477Z	E CAP.	470μF 16V M
C1952-53	NCB31CK-104X	CHIP CAP.	0.1μF 16V K
C1954	QETN1AM-477Z	E CAP.	470μF 10V M
C1955	QETN1AM-227Z	E CAP.	220μF 10V M
C1956	QETN1AM-107Z	E CAP.	100μF 10V M

COIL

L1001	QQL244K-270Z	PEAKING COIL	
L1002-03	QQL244K-100Z	COIL	10μH K
L1004	NQL092K-100X	INDUCTOR	
L1101	QRN143J-0ROX	C R	0.0Ω 1/4W J
L1102	QQL244K-4R7Z	COIL	4.7μH K

COIL

L1111	QQL244K-220Z	PEAKING COIL	
L1112	QQL244K-180Z	COIL	18μH K
L1301-02	NQL092K-1R5X	CHIP INDUCTOR	
L1951	QQL26AM-5R6Z	CHOKE COIL	

DIODE

D1317-18	MA111-X	SI.DIODE	
D1471-74	MA111-X	SI.DIODE	
D1521	MA111-X	SI.DIODE	
D1591	MA111-X	SI.DIODE	

△ Symbol No.	Part No.	Part Name	Description
DIODE			
D1592	MA3051/M/-X	ZENER DIODE	
D1602	MA111-X	SI.DIODE	
D1610-11	MA111-X	SI.DIODE	
D1614-15	MA111-X	SI.DIODE	
D1619-20	MA3330/L/-X	ZENER DIODE	
D1771-74	MA3056/M/-X	ZENER DIODE	
D1951	15R35-400A-T5	SI.DIODE	
D1981-82	MA111-X	SI.DIODE	

TRANSISTOR

Q1101-02	2SC2412K/QR/-X	SI. TRANSISTOR	
Q1471-72	2SC2412K/QR/-X	SI. TRANSISTOR	
Q1601-02	2SA1037AK/QR/-X	SI. TRANSISTOR	
Q1604-05	DTC124EKA-X	DIGI. TRANSISTOR	
Q1606	2SC2412K/QR/-X	SI. TRANSISTOR	
Q1607	DTA124EKA-X	DIGI. TRANSISTOR	

IC

IC1101	MSP3415DQGB3GHX	I.C. (MONO-ANA)	
IC1301	SDA9380	I C	
IC1402	BA10324AF-XE	I C	
IC1471	UPC358G2-XE	I.C. (MONO-ANA)	
IC1601	TA8246AH	I.C. (HYBRID)	
IC1701	JLC1562BF-X	I.C. (DIGI-MOS)	
IC1951	BA09T	I.C. (MONO-ANA)	
IC1952	BA08T	I.C. (MONO-ANA)	

OTHERS

CN1013	QGA2501C1-10	W TO B CONNE	
CN10C2	QGA2501C5-06Z	EH POST HEADER	
LC1301-03	NQR0431-001X	EMI FILTER	
LC1102	NQR0431-001X	EMI FILTER	
K1001	NQR0389-003X	FERRITE BEADS	
K1101-02	NQR0389-003X	FERRITE BEADS	
K1301	NQR0413-003X	CHIP BEADS	
TU1001	QAU0188-003	TUNER	
X1101	CE42546-001Z	CRYSTAL	
X1501	QAX0549-001Z	CRYSTAL	

■ POWER & DEF. P.W. BOARD ASS'Y
(SMF-2004A-U2)

△ Symbol No.	Part No.	Part Name	Description
RESISTOR			
R2401-02	QRE141J-562Y	C R	5.6kΩ 1/4W J
R2403	QRE141J-222Y	C R	2.2kΩ 1/4W J
R2404	QRX01GJ-1R0	MF R	1.0Ω 1W J
R2405	QRL029J-221	OM R	220Ω 2W J
R2406	QRE141J-222Y	C R	2.2kΩ 1/4W J
R2407	QRX01GJ-1R2	MF R	1.2Ω 1W J
R2408	QRX01GJ-1R5	MF R	1.5Ω 1W J
R2409	QRE141J-823Y	C R	82kΩ 1/4W J
R2410	QRE141J-103Y	C R	10kΩ 1/4W J
R2421	QRE141J-103Y	C R	10kΩ 1/4W J
R2422	QRE141J-274Y	C R	270kΩ 1/4W J
R2461	QRG029J-820	OM R	82 Ω 2W J
R2462	QRE141J-473Y	C R	47kΩ 1/4W J
R2463	QRE141J-682Y	C R	6.8kΩ 1/4W J
R2464	QRX01GJ-3R3	MF R	3.3Ω 1W J
R2468	QRE141J-102Y	C R	1kΩ 1/4W J
R2469	QRE141J-272Y	C R	2.7kΩ 1/4W J
R2471	QRE141J-391Y	C R	390Ω 1/4W J
R2472	QRA14CF-1002Y	MF R	10kΩ 1/4W F
R2473	QRE141J-473Y	C R	47kΩ 1/4W J
R2474	QRE141J-103Y	C R	10kΩ 1/4W J
R2475	QRE141J-102Y	C R	1kΩ 1/4W J
R2476	QRE141J-102Y	C R	1kΩ 1/4W J
R2477	QRE141J-563Y	C R	56kΩ 1/4W J
R2478	QRE141J-333Y	C R	33kΩ 1/4W J
R2501	QRE141J-471Y	C R	470Ω 1/4W J
R2502	QRE141J-123Y	C R	12kΩ 1/4W J
R2503	QRE121J-152Y	C R	1.5kΩ 1/2W J
R2504	QRL039J-272	OM R	2.7kΩ 3W J
R2505	QRL039J-332	OM R	3.3kΩ 3W J
R2506	QRE121J-5R6Y	C R	5.6Ω 1/2W J
R2521	QRE121J-471Y	C R	470Ω 1/2W J
R2522	QRE141J-223Y	C R	22kΩ 1/4W J
R2523	QRE141J-103Y	C R	10kΩ 1/4W J
R2524	QRC121K-152Z	COMP. R	1.5kΩ 1/2W K
R2541	QRE141J-182Y	C R	1.8kΩ 1/4W J
R2542	QRE141J-222Y	C R	2.2kΩ 1/4W J
R2543	QRE121J-272Y	C R	2.7kΩ 1/2W J
△ R2551	QRZ9022-R47	F R	0.47 Ω 1W K
△ R2552	QRZ9022-R47	F R	0.47 Ω 1W K
R2555	QRX029J-2R2	MF R	2.2Ω 2W J
R2581	QRF154K-4R7	UNF R	4.7Ω 15W K
R2582	QRE141J-681Y	C R	680Ω 1/4W J
R2583	QRE121J-682Y	C R	6.8kΩ 1/2W J
R2584	QRE141J-183Y	C R	18kΩ 1/4W J
R2585	QRE141J-222Y	C R	2.2kΩ 1/4W J
R2586	QRA14CF-6801Y	MF R	6.8kΩ 1/4W F
R2587	QRA14CF-2801Y	MF R	2.8kΩ 1/4W F
R2588	QRE141J-103Y	C R	10kΩ 1/4W J
△ R2591	QRZ9017-4R7	F R	4.7 Ω 1/4W J
R2901	QRE121J-331Y	C R	330Ω 1/2W J
R2902	QRF054K-3R3	UNF R	3.3Ω 5W K
R2903	QRF104K-3R9	UNF R	3.9Ω 10W K
R2904	QRL039J-683	OM R	68kΩ 3W J
R2905-06	QRE121J-474Y	C R	470kΩ 1/2W J
R2908-09	QRL039J-823	OM R	82kΩ 3W J
△ R2910	QRZ9017-4R7	F R	4.7 Ω 1/4W J
R2911	QRE121J-152Y	C R	1.5kΩ 1/2W J
R2913	QRT029J-1R8	MF R	1.8Ω 2W J
R2914	QRMO59J-R22	MP R	0.22Ω 5W J
R2915	QRE121J-681Y	C R	680Ω 1/2W J
R2916	QRE121J-332Y	C R	3.3kΩ 1/2W J
△ R2932	QRZ9017-470	F R	47 Ω 1/4W J
R2933	QRE121J-272Y	C R	2.7kΩ 1/2W J
R2934	QRE121J-564Y	C R	560kΩ 1/2W J
R2935	QRE141J-472Y	C R	4.7kΩ 1/4W J
R2936	QRX01GJ-3R9	MF R	3.9Ω 1W J
R2937	QRE121J-681Y	C R	680Ω 1/2W J
R2941	QRE121J-331Y	C R	330Ω 1/2W J
R2942	QRE121J-471Y	C R	470Ω 1/2W J

△ Symbol No.	Part No.	Part Name	Description
RESISTOR			
R2943	QRE141J-103Y	C R	10kΩ 1/4W J
R2944	QRE141J-103Y	C R	10kΩ 1/4W J
R2945	QRE141J-563Y	C R	56kΩ 1/4W J
R2946	QRE141J-103Y	C R	10kΩ 1/4W J
R2949	QRE141J-101Y	C R	100Ω 1/4W J
R2950	QRE141J-103Y	C R	10kΩ 1/4W J
R2951	QRE121J-102Y	C R	1kΩ 1/2W J
R2952	QRL039J-223	OM R	22kΩ 3W J
R2953	QRE141J-474Y	C R	470kΩ 1/4W J
R2954	QRE141J-103Y	C R	10kΩ 1/4W J
R2960	QRE141J-103Y	C R	10kΩ 1/4W J
R2981	QRE141J-153Y	C R	15kΩ 1/4W J
R2982	QRE141J-102Y	C R	1kΩ 1/4W J
△ R2991	QRZ0057-825	C R	8.2MΩ 1W J
CAPACITOR			
C2403	QFLC2AJ-104Z	M CAP.	0.1μF 100V J
C2404	QCZ0120-104Z	C CAP.	0.1μF 25V Z
C2405	QDC31HJ-820Z	C CAP.	82pF 50V J
C2406	QETM1VM-108	E CAP.	1000μF 35V M
C2408	QETN1VM-337Z	E CAP.	330μF 35V M
C2409-10	QFV71HJ-474Z	MF CAP.	0.47μF 50V J
C2411	QFLC2AJ-104Z	M CAP.	0.1μF 100V J
C2414	QCB31HK-682Z	C CAP.	6800pF 50V K
C2421	QETN1HM-105Z	E CAP.	1μF 50V M
C2461	QEZ0472-106Z	E CAP.	10μF 250V M
C2462-63	QFM72DJ-152Z	M CAP.	1500pF 200V J
C2464	QCZ0120-104Z	C CAP.	0.1μF 25V Z
C2465	QETN1HM-106Z	E CAP.	10μF 50V M
C2466	QFP31HJ-272Z	PP CAP.	2700pF 50V J
C2467	QFLC1HJ-102Z	M CAP.	1000pF 50V J
C2468	QETN1EM-476Z	E CAP.	47μF 25V M
C2470	QCS31HJ-470Z	C CAP.	47pF 50V J
C2471	QFLC1HJ-103Z	M CAP.	0.01μF 50V J
C2501	QCB32HK-331Z	C CAP.	330pF 500V K
C2502	QFM72DK-103	M CAP.	0.01μF 200V K
C2503	QFV71HJ-224Z	MF CAP.	0.22μF 50V J
C2521	QFZ0122-112	MPP CAP.	1100pF1.8kVH±3%
△ C2522	QFZ0200-113	MPP CAP.	0.011μF1.5kVH±3%
C2523	QFM72DK-393	M CAP.	0.039μF 200V K
△ C2524	QFP32JJ-223	PP CAP.	0.022μF 630V J
C2525	QFZ0194-914	MPP CAP.	0.91μF 250V J
C2526	QFZ0194-474	MPP CAP.	0.47μF 250V J
C2530	QCB32HK-561Z	C CAP.	560pF 500V K
C2531	QFZ0194-534	MPP CAP.	0.53μF 250V J
C2532	QETM2CM-227	E CAP.	220μF 160V M
C2541	QENC1HM-105Z	BP E CAP.	1μF 50V M
C2551	QCB32HK-152Z	C CAP.	1500pF 500V K
C2552	QETN1CM-108Z	E CAP.	1000μF 16V M
C2553	QCB32HK-152Z	C CAP.	1500pF 500V K
C2554	QETN1CM-108Z	E CAP.	1000μF 16V M
C2555	QCB32HK-102Z	C CAP.	1000pF 500V K
C2556	QETN2EM-106Z	E CAP.	10μF 250V M
C2558	QETN1CM-477Z	E CAP.	470μF 16V M
C2559	QEH1CM-227Z	E CAP.	220μF 16V M
C2581	QETN1CM-107Z	E CAP.	100μF 16V M
C2582	QETN1EM-476Z	E CAP.	47μF 25V M
C2583	QETN2AM-106Z	E CAP.	10μF 100V M
C2584	QETN1AM-227Z	E CAP.	220μF 10V M
△ C2901	QFZ9075-473	MPP CAP.	0.047μFAC275V M
△ C2902	QFZ9075-104	MPP CAP.	0.1μFAC275V M
△ C2903	QFZ9075-473	MPP CAP.	0.047μFAC275V M
△ C2904	QCZ9054-472	C CAP.	4700pFAC250V Z
C2905	QCZ9054-472	C CAP.	4700pFAC250V Z
C2906	QCZ9054-472	C CAP.	4700pFAC250V Z
C2907	QEZ0199-227	E CAP.	220μF 400V M
C2908	QCB32HK-103	C CAP.	0.01μF 500V K
C2909	QCZ0340-391	C CAP.	390pF 2kV K
C2910	QETN1HM-476Z	E CAP.	47μF 50V M
C2911	QCB31HK-182Z	C CAP.	1800pF 50V K

Symbol No.	Part No.	Part Name	Description
CAPACITOR			
C2912	QCZ0340-561	C CAP.	560pF 2kV K
C2914	QCB31HK-4712	C CAP.	470pF 50V K
C2916	QCB32HK-1522	C CAP.	1500pF 500V K
△ C2931	QCZ9054-472	C CAP.	4700pFAC250V Z
△ C2932	QCZ9054-472	C CAP.	4700pFAC250V Z
△ C2933	QCZ9054-472	C CAP.	4700pFAC250V Z
C2934	QETM2GM-226	E CAP.	22μF 400V M
C2936	QCZ0340-151	C CAP.	150pF 2kV K
C2937	QETN1HM-4752	E CAP.	4.7μF 50V M
C2938	QCB31HK-2222	C CAP.	2200pF 50V K
C2939	QFLC1HJ-1032	M CAP.	0.01μF 50V J
C2940	QCB31HK-4712	C CAP.	470pF 50V K
C2941	QETN1AM-1082	E CAP.	1000μF 10V M
C2942	QFLC1HJ-1022	M CAP.	1000pF 50V J
C2951	QEZO203-227	E CAP.	220μF 160V M
C2952	QTM1EM-228	E CAP.	2200μF 25V M
C2954	QETM1VM-228	E CAP.	2200μF 35V M
C2959	QFV71HJ-6842	MF CAP.	0.68μF 50V J
C2960	QCZ0131-821	C CAP.	820pF 2kV K
C2963	QCB32HK-1522	C CAP.	1500pF 500V K
C2972	QETN1CM-1082	E CAP.	1000μF 16V M
C2974-75	QEZO256-128	E CAP.	1200μF 10V M
C2976	QETN1CM-1082	E CAP.	1000μF 16V M
C2978-79	QEZO256-128	E CAP.	1200μF 10V M
△ C2991	QCZ9079-222	C CAP.	2200pFAC250V M
△ C2993	QCZ9079-471	C CAP.	470pFAC250V K

TRANSFORMER			
T2501	QQR1111-001	DRIVE TRANSF.	
T2521	QQR1188-001	PIN TRANSF.	
△ T2551	QQH0095-001	FBT	
△ T2901	QOS0103-001	SW TRANSF.	
△ T2931	QOS0101-001	SW TRANSF.	

COIL			
L2461	QQLZ030-801	INDUCTOR	
L2462	QQLZ028-272	CHOKE COIL	
L2522	QQR1191-001	LINEARITY COIL	
L2552	QQL26AK-2202	COIL	22μH K
L2901-02	QQL401K-1002	CHOKE COIL	
L2903	QQR1200-001	CHOKE COIL	
L2951	QQLZ026-460	HEATER CHOKE	
L2954-55	QQR1129-001	CHOKE COIL	
L2957	QQLZ026-460	HEATER CHOKE	
L2958	QQLZ026-460	HEATER CHOKE	
L2959-60	QQL26AK-2202	COIL	22μH K

DIODE			
D2402	1SR35-400A-T2	SI DIODE	
D2421	1SS133-T2	SI DIODE	
D2461	EU2-T3	SI DIODE	
D2462	1SS133-T2	SI DIODE	
D2463	1SS133-T2	SI DIODE	
D2501	1SS81-T5	SI DIODE	
D2521	V11CA-C1	SI DIODE	
D2522	FMV-3FU-F1	SI DIODE	
D2523	MTZJ22B-T2	ZENER DIODE	
D2541	EU2-T3	SI DIODE	
D2542	MTZJ3.9B-T2	ZENER DIODE	
D2551	EU2-T3	SI DIODE	
D2552	EU2-T3	SI DIODE	
D2553	RH1S-T3	SI DIODE	
D2582	MTZJ7.5B-T2	ZENER DIODE	
D2583	MTZJ7.5S-T2	ZENER DIODE	
△ D2584	EU2-T3	SI DIODE	
D2901	D35B60	BRIDGE DIODE	
D2902	RG1C-LFA1	SI DIODE	
D2904	AU01Z-T2	SI DIODE	
D2905	AU01Z-T2	SI DIODE	
D2906	MTZJ27B-T2	ZENER DIODE	
D2907	1SS133-T2	SI DIODE	
D2908	1SS133-T2	SI DIODE	

Symbol No.	Part No.	Part Name	Description
DIODE			
D2910	MTZJ15B-T2	ZENER DIODE	
D2912	MTZJ27B-T2	ZENER DIODE	
△ D2931	SIWB/A/60-4101	SI DIODE	
D2933	AU01Z-T2	SI DIODE	
D2934	AU01Z-T2	SI DIODE	
D2935	1SS133-T2	SI DIODE	
D2941	RGPI0J-5025-T3	SI DIODE	
D2943	MTZJ7.5B-T2	ZENER DIODE	
D2944	NJM431L-T	I.C. (MONO-ANA)	
D2945	1SS133-T2	SI DIODE	
D2951	RU4B-F1	SI DIODE	
D2952	FMX-G12S	SI DIODE	
D2953	RU4B-F1	SI DIODE	
D2954	FMX-G12S	SI DIODE	
D2958	MTZJ33B-T2	ZENER DIODE	
D2959-60	RK34-LFC4	SI DIODE	
D2961	1SR35-400A-T2	SI DIODE	
D2981	1SS133-T2	SI DIODE	
D2984	1SS133-T2	SI DIODE	
D2985	1SS133-T2	SI DIODE	

TRANSISTOR			
Q2421	DTC124ESA-T	DIGI. TRANSISTOR	
Q2422	2SC1740S/QR/-T	SI TRANSISTOR	
Q2461	2SK2459N-F54	F.E.T.	
Q2462-63	2SC1740S/QR/-T	SI TRANSISTOR	
Q2464	2SA933AS/QR/-T	SI TRANSISTOR	
Q2501	BSN304-T	F.E.T.	
△ Q2521	2SC5552-RL	SI TRANSISTOR	
Q2581	2SA1208/ST/Z1-T	SI TRANSISTOR	
Q2582	DTC144ESA-T	DIGI. TRANSISTOR	
Q2583	2SC1740S/QR/-T	SI TRANSISTOR	
Q2941-42	2SC1740S/QR/-T	SI TRANSISTOR	

IC			
IC2401	LA78041	I C	
IC2461	BA10393	I.C. (MONO-ANA)	
IC2551	BA12T	I.C. (MONO-ANA)	
IC2901	STR-F6667B/F7	I.C. (HYBRID)	
IC2931	STR-L472/F7	I C	
IC2951	SE140N	I.C. (HYBRID)	
IC2954	SI-8050S	I.C. (HYBRID)	
IC2955	SI-8033S/F1	I.C. (HYBRID)	

OTHERS			
△ CP2931	QMFZ043-2R0Z-J1	FUSE	2.0A
△ CP2941	ICP-N25-Y	I.C. PROTECT	
△ CP2954	ICP-N75-Y	I.C. PROTECT	
K2401	QQR0621-002Z	BEADS CORE	
K2522-24	CE41832-001	LEAD CORE	
K2901	QQR0679-001	FERRITE BEADS	
K2952	QQR0621-002Z	BEADS CORE	
K2953	QQR0621-002Z	BEADS CORE	
K2954	QQR0621-002Z	BEADS CORE	
△ LF2901	QQR1095-003	LINE FILTER	
△ PC2901	PC123FY2	I.C. (PH. COUPLER)	
△ PC2931	PC123FY2	I.C. (PH. COUPLER)	
△ RY2931	QSK0099-001	RELAY	
△ TH2901	QAD0120-9R0	P.THERMISTOR	

■ CRT SOCKET P.W. BOARD ASS'Y
(SMF-3005A-U2)

△ Symbol No.	Part No.	Part Name	Description
RESISTOR			
R3101	NRSA63J-123X	MG R	12kΩ 1/16W J
R3102	NRSA63J-681X	MG R	680Ω 1/16W J
R3103	NRSA63J-101X	MG R	100Ω 1/16W J
R3104	NRSA63J-472X	MG R	4.7kΩ 1/16W J
R3105	NRSA63J-102X	MG R	1kΩ 1/16W J
R3106	NRSA63J-221X	MG R	220Ω 1/16W J
R3107	NRSA63J-561X	MG R	560Ω 1/16W J
R3109	NRSA63J-153X	MG R	15kΩ 1/16W J
R3110	NRSA63J-222X	MG R	2.2kΩ 1/16W J
R3111	NRSA63J-182X	MG R	1.8kΩ 1/16W J
R3112	NRSA63J-272X	MG R	2.7kΩ 1/16W J
R3113	NRSA63J-331X	MG R	330Ω 1/16W J
R3114	NRSA63J-152X	MG R	1.5kΩ 1/16W J
R3115	NRSA63J-820X	MG R	82Ω 1/16W J
R3116	QRG01GJ-101	OM R	100Ω 1W J
R3117	NRSA63J-221X	MG R	220Ω 1/16W J
R3122	NRSA63J-122X	MG R	1.2kΩ 1/16W J
R3123	QRE121J-563Y	C R	56kΩ 1/2W J
R3124	NRSA63J-470X	MG R	47Ω 1/16W J
R3125	QRE121J-563Y	C R	56kΩ 1/2W J
R3126	NRSA63J-470X	MG R	47Ω 1/16W J
R3127	NRSA63J-122X	MG R	1.2kΩ 1/16W J
R3128	NRSA63J-390X	MG R	39Ω 1/16W J
R3129-30	QRE121J-2R7Y	C R	2.7Ω 1/2W J
R3131	NRSA63J-390X	MG R	39Ω 1/16W J
R3132	NRSA63J-121X	MG R	120Ω 1/16W J
R3133	QRL029J-391	OM R	390Ω 2W J
△ R3134	QRZ902I-561	F R	560 Ω 1W J
R3204-06	NRSA63J-272X	MG R	2.7kΩ 1/16W J
R3211	NRSA63J-154X	MG R	150kΩ 1/16W J
R3223-25	NRSA63J-272X	MG R	2.7kΩ 1/16W J
R3227	NRSA63J-103X	MG R	10kΩ 1/16W J
R3228	NRSA63J-272X	MG R	2.7kΩ 1/16W J
R3229-31	QRL029J-104	OM R	100kΩ 2W J
R3232-34	NRSA63J-332X	MG R	3.3kΩ 1/16W J
R3235-37	QRC121K-152Z	COMP. R	1.5kΩ 1/2W K
R3239	QRZ0107-474Z	C R	470kΩ 1/2W K
R3241	QRZ0107-105Z	C R	1.0MΩ 1/2W K
R3242	NRSA63J-103X	MG R	10kΩ 1/16W J
R3244	NRSA63J-102X	MG R	1kΩ 1/16W J
R3245-47	NRSA63J-562X	MG R	5.6kΩ 1/16W J
R3301-02	QRE121J-474Y	C R	470kΩ 1/2W J
R3303-04	NRSA63J-223X	MG R	22kΩ 1/16W J
R3305	NRSA63J-562X	MG R	5.6kΩ 1/16W J
R3306	NRSA63J-392X	MG R	3.9kΩ 1/16W J
R3310	NRSA63J-0R0X	MG R	0.0Ω 1/16W J

CAPACITOR

C3102	NDC31HJ-8R0X	C CAP.	8.0pF 50V J
C3103	NDC31HJ-151X	C CAP.	150pF 50V J
C3104	QCB31HK-103Z	C CAP.	0.01μF 50V K
C3106	QETN1HM-335Z	E CAP.	3.3μF 50V M
C3107	QETN1CM-107Z	E CAP.	100μF 16V M
C3110	QETN2CM-106Z	E CAP.	10μF 160V M
C3111	QCB32HK-472Z	C CAP.	4700pF 500V K
C3113	QETN2CM-106Z	E CAP.	10μF 160V M
C3114	QCB32HK-472Z	C CAP.	4700pF 500V K
C3116-17	QETN1AM-107Z	E CAP.	100μF 10V M
C3118	QETN1AM-337Z	E CAP.	330μF 10V M
C3120-21	NDC31HJ-221X	C CAP.	220pF 50V J
C3201-03	NDC31HJ-8R0X	C CAP.	8.0pF 50V J
C3204-06	NCF31CZ-104X	C CAP.	0.1μF 16V Z
C3207-09	QETN1EM-476Z	E CAP.	47μF 25V M
C3210-12	QFK62EK-104Z	MM CAP.	0.1μF 250V K
C3213-15	NDC31HJ-181X	C CAP.	180pF 50V J
C3216	QETN1CM-107Z	E CAP.	100μF 16V M
C3218	QETN2EM-336	E CAP.	33μF 250V M
C3219	QFZ0097-223	MM CAP.	0.022μF 1250V K
C3221	QETN2EM-106Z	E CAP.	10μF 250V M
C3302	QETN1AM-477Z	E CAP.	470μF 10V M

△ Symbol No.	Part No.	Part Name	Description
COIL			
L3101	QQL244K-5R6Z	COIL	5.6μH K
L3204	QQL26AJ-102Z	COIL	1mH J

DIODE

D3101-02	MA111-X	SI. DIODE
D3103	RH15-T3	SI. DIODE
D3104	RH15-T3	SI. DIODE
D3204-06	EU01N-T2	SI. DIODE
D3208-10	1SR124-400A-T2	SI. DIODE
D3211	MA306Z/M/-X	ZENER DIODE
D3301	MA111-X	SI. DIODE
D3303	MA111-X	SI. DIODE

TRANSISTOR

Q3101	2SC2412K/QR/-X	SI. TRANSISTOR
Q3102	2SA1037AK/QR/-X	SI. TRANSISTOR
Q3103	2SC1906-T	SI. TRANSISTOR
Q3104	2SC2412K/QR/-X	SI. TRANSISTOR
Q3105	2SC1627A/OY/-T	SI. TRANSISTOR
Q3108	2SA1837	SI. TRANSISTOR
Q3109	2SC4793	SI. TRANSISTOR
Q3301	2SA1037AK/QR/-X	SI. TRANSISTOR

IC

IC3201-03	TDA6111Q	I. C. (MONO-ANA)
-----------	----------	------------------

OTHERS

K3101	CE41492-001Z	CHOKE COIL
K3103-04	CE41492-001Z	CHOKE COIL
K3105	QQR0621-002Z	BEADS CORE
△ SK3001	QNZ0464-001	C. R. T. SOCKET

■ FRONT CONTROL P.W. BOARD ASS'Y
(SMF-8005A-U2)

Symbol No.	Part No.	Part Name	Description
RESISTOR			
R8001-02	QRE121J-271Y	C R	270Ω 1/2W J
R8003	NRSA63J-102X	MG R	1kΩ 1/16W J
R8004	NRSA63J-222X	MG R	2.2kΩ 1/16W J
R8005	NRSA63J-221X	MG R	220Ω 1/16W J
R8006	NRSA63J-182X	MG R	1.8kΩ 1/16W J
R8008	NRSA63J-102X	MG R	1kΩ 1/16W J
R8010	NRSA63J-103X	MG R	10kΩ 1/16W J
R8012-13	NRSA63J-103X	MG R	10kΩ 1/16W J
R8020	NRSA63J-822X	MG R	8.2kΩ 1/16W J
R8021-22	NRSA63J-102X	MG R	1kΩ 1/16W J
R8035	QRE121J-151Y	C R	150Ω 1/2W J
R8039	NRSA63J-331X	MG R	330Ω 1/16W J
CAPACITOR			
C8001-02	NCB31HK-103X	C CAP.	0.01μF 50V K
C8003	QETN1HM-106Z	E CAP.	10μF 50V M
C8004	NCB31CK-104X	CHIP CAP.	0.1μF 16V K
C8005	NDC31HJ-680X	C CAP.	68pF 50V J
C8010-11	NCB31HK-472X	C CAP.	4700pF 50V K
C8019	QETN1CM-107Z	E CAP.	100μF 16V M
C8021	NCB31CK-104X	CHIP CAP.	0.1μF 16V K
C8022	QETN1EM-476Z	E CAP.	47μF 25V M
△ C8901	QFZ9040-474	MF CAP.	0.47μFAC275V M
COIL			
L8001	QQR0716-001Z	LEAD CORE	
L8002-03	QQL244K-5R6Z	COIL	5.6μH K
L8010-11	QQL244K-270Z	PEAKING COIL	
L8012	QQR0716-001Z	LEAD CORE	
DIODE			
D8007	P1241-04	C.D.S.	
D8008	MA111-X	SI DIODE	
D8010	SPR-39MWF	L.E.D.	
D8011	MA111-X	SI DIODE	
D8014	MA3068/M/-X	ZENER DIODE	
D8018	MA3033-X	ZENER DIODE	
TRANSISTOR			
Q8001	2SA1037AK/QR/-X	SI TRANSISTOR	
Q8002	DTC124EKA-X	DIGI. TRANSISTOR	
Q8003-04	DTA124EKA-X	DIGI. TRANSISTOR	
IC			
IC8001	GP1U281Q	IFR DETECT UNIT	
OTHERS			
△	CEMG002-001Z	FUSE CLIP	
	LC30349-001A-H	L.E.D. HOLDER	
	CM35921-005-H	CDS HOLDER	
△ F8901	QMF51D2-3R15J1	FUSE	
J8001	QMS3004-C01	HEADPHONE JACK	
J8003	QNDO073-001	S JACK	
J8004	QNN0370-001	PIN JACK	
LC8002	NQRO169-001X	EMI FILTER	
△ LF8901	QQR1095-003	LINE FILTER	
S8001	QSW0619-003Z	PUSH SWITCH	MENU
S8002	QSW0619-003Z	PUSH SWITCH	CH DOWN
S8003	QSW0619-003Z	PUSH SWITCH	CH UP
△ S8901	QSW0824-001	PUSH SWITCH	MAIN POWER

■ MICON P.W. BOARD ASS'Y (SMF0M001A-U2)

Symbol No.	Part No.	Part Name	Description
RESISTOR			
R0001	NRSA63J-102X	MG R	1kΩ 1/16W J
R0002	NRSA63J-104X	MG R	100kΩ 1/16W J
R0003-05	NRSA63J-102X	MG R	1kΩ 1/16W J
R0006	NRSA63J-152X	MG R	1.5kΩ 1/16W J
R0007-08	NRSA63J-102X	MG R	1kΩ 1/16W J
R0009-11	NRSA63J-103X	MG R	10kΩ 1/16W J
R0012	NRSA63J-273X	MG R	27kΩ 1/16W J
R0013	NRSA63J-221X	MG R	220Ω 1/16W J
R0014	NRSA63J-102X	MG R	1kΩ 1/16W J
R0015	NRSA63J-473X	MG R	47kΩ 1/16W J
R0016-17	NRSA63J-103X	MG R	10kΩ 1/16W J
R0018-21	NRSA63J-102X	MG R	1kΩ 1/16W J
R0022	NRSA63J-472X	MG R	4.7kΩ 1/16W J
R0024	NRSA63J-472X	MG R	4.7kΩ 1/16W J
R0027	NRSA63J-472X	MG R	4.7kΩ 1/16W J
R0030	NRSA63J-472X	MG R	4.7kΩ 1/16W J
R0032	NRSA63J-472X	MG R	4.7kΩ 1/16W J
R0034-53	NRSA63J-0R0X	MG R	0.0Ω 1/16W J
R0055-77	NRSA63J-0R0X	MG R	0.0Ω 1/16W J
R0087	NRSA63J-221X	MG R	220Ω 1/16W J
R0089-91	NRSA63J-221X	MG R	220Ω 1/16W J
R0092	NRSA63J-472X	MG R	4.7kΩ 1/16W J
R0093	NRSA63J-221X	MG R	220Ω 1/16W J
R0094	NRSA63J-472X	MG R	4.7kΩ 1/16W J
R0095	NRSA63J-473X	MG R	47kΩ 1/16W J
R0096	NRSA63J-221X	MG R	220Ω 1/16W J
R0097	NRSA63J-102X	MG R	1kΩ 1/16W J
R0098	NRSA63J-0R0X	MG R	0.0Ω 1/16W J
R0099	NRSA63J-102X	MG R	1kΩ 1/16W J
R0100-02	NRSA63J-102X	MG R	1kΩ 1/16W J
R0103-06	NRSA63J-103X	MG R	10kΩ 1/16W J
R0107	NRSA63J-102X	MG R	1kΩ 1/16W J
R0110	NRSA63J-102X	MG R	1kΩ 1/16W J
R0111	NRSA63J-103X	MG R	10kΩ 1/16W J
R0112	NRSA63J-102X	MG R	1kΩ 1/16W J
R0113-14	NRSA63J-103X	MG R	10kΩ 1/16W J
R0119	NRSA63J-563X	MG R	56kΩ 1/16W J
R0120	NRSA63J-332X	MG R	3.3kΩ 1/16W J
R0121	NRSA63J-182X	MG R	1.8kΩ 1/16W J
R0122	NRSA63J-103X	MG R	10kΩ 1/16W J
R0123	NRSA63J-682X	MG R	6.8kΩ 1/16W J
R0124	NRSA63J-101X	MG R	100Ω 1/16W J
R0125-28	NRSA63J-472X	MG R	4.7kΩ 1/16W J
R0129	NRSA63J-823X	MG R	82kΩ 1/16W J
R0130	NRSA63J-104X	MG R	100kΩ 1/16W J
R0131	NRSA63J-0R0X	MG R	0.0Ω 1/16W J
R0133	NRSA63J-0R0X	MG R	0.0Ω 1/16W J
R0135	NRSA63J-102X	MG R	1kΩ 1/16W J
R0136	NRSA63J-103X	MG R	10kΩ 1/16W J
R0137-39	NRSA63J-222X	MG R	2.2kΩ 1/16W J
R0144	NRSA63J-103X	MG R	10kΩ 1/16W J
R0147	NRSA63J-472X	MG R	4.7kΩ 1/16W J
R0151	NRSA63J-183X	MG R	18kΩ 1/16W J
R0152-54	NRSA63J-221X	MG R	220Ω 1/16W J
R0155-56	NRSA63J-101X	MG R	100Ω 1/16W J
R0157	NRSA63J-0R0X	MG R	0.0Ω 1/16W J
R0158	NRSA63J-221X	MG R	220Ω 1/16W J
R0161	NRSA63J-102X	MG R	1kΩ 1/16W J
R0162	NRSA63J-153X	MG R	15kΩ 1/16W J
R0163	NRSA63J-682X	MG R	6.8kΩ 1/16W J
CAPACITOR			
C0001	QETNOJM-477Z	E CAP.	470μF 6.3V M
C0002	NCF31CZ-104X	C CAP.	0.1μF 16V Z
C0003	NCB11CK-225X	CHIP CAP.	2.2μF 16V K
C0004	QETNOJM-108Z	E CAP.	1000μF 6.3V M
C0005-06	NCB11CK-225X	CHIP CAP.	2.2μF 16V K
C0007	NEH71CM-476X	E CAP.	47μF 16V M
C0008	NCB11CK-225X	CHIP CAP.	2.2μF 16V K
C0012-13	NCF31CZ-104X	C CAP.	0.1μF 16V Z
C0014	NCB31HK-682X	CHIP CAP.	6800pF 50V K

■ AV SW P.W. BOARD ASS'Y (SMF0S003A-U2)

△ Symbol No.	Part No.	Part Name	Description
CAPACITOR			
C0017	NDC31HJ-150X	C CAP.	15pF 50V J
C0019	NEH71CM-476X	E CAP.	47μF 16V M
C0020	NCF31CZ-104X	C CAP.	0.1μF 16V Z
C0021	NEH71CM-476X	E CAP.	47μF 16V M
C0022	NCF31AZ-105X	C CAP.	1μF 10V Z
C0023	NCB31EK-333X	CHIP CAP.	0.033μF 25V K
C0024	NCF31CZ-104X	C CAP.	0.1μF 16V Z
C0027-28	NEH71CM-476X	E CAP.	47μF 16V M
C0029	NDC31HJ-151X	C CAP.	150pF 50V J
C0030-32	NCF31CZ-104X	C CAP.	0.1μF 16V Z
C0034-39	NCF31CZ-104X	C CAP.	0.1μF 16V Z
C0040	NDC31HJ-330X	C CAP.	33pF 50V J
C0041	NDC31HJ-270X	C CAP.	27pF 50V J
C0042-43	NCF31CZ-104X	C CAP.	0.1μF 16V Z
C0045-47	NCF31CZ-104X	C CAP.	0.1μF 16V Z
C0048	NEH71CM-476X	E CAP.	47μF 16V M
C0049-50	NCF31CZ-104X	C CAP.	0.1μF 16V Z
C0051	NEH71CM-476X	E CAP.	47μF 16V M
C0052-57	NCF31CZ-104X	C CAP.	0.1μF 16V Z
C0059-61	NEH71CM-106X	E CAP.	10μF 16V M
C0062	NCF31CZ-104X	C CAP.	0.1μF 16V Z
C0063-65	NDC31HJ-820X	C CAP.	82pF 50V J
C0070	NEH71HM-225X	E CAP.	2.2μF 50V M
COIL			
L0001	NQL092K-4R7X	CHIP INDUCTOR	
L0003	NQL092K-4R7X	CHIP INDUCTOR	
L0005-08	NQL092K-4R7X	CHIP INDUCTOR	
L0009	NQL034K-4R7X	CHIP INDUCTOR	
L0010-14	NQL092K-4R7X	CHIP INDUCTOR	
L0015-16	NQL034K-4R7X	CHIP INDUCTOR	
L0017-22	NQL092K-1R5X	CHIP INDUCTOR	
DIODE			
D0001-02	MA111-X	SI DIODE	
D0003	MA3068/M/-X	ZENER DIODE	
D0004	MA3027-X	ZENER DIODE	
D0005-08	MA3056/M/-X	ZENER DIODE	
D0010	MA3068/M/-X	ZENER DIODE	
TRANSISTOR			
Q0001-02	2SC2712/YG/-X	SI TRANSISTOR	
Q0007-08	2SA1162/YG/-X	SI TRANSISTOR	
Q0009-12	2SC2712/YG/-X	SI TRANSISTOR	
IC			
IC0001	SDA6000	I C	
IC0003	K45161622D-TC80	I.C. (D-RAM)	
IC0004	AT24C32-WH5EU	I.C.	(SERVICE)
IC0005	S-80828ANNP-W	I C	
IC0012	MX23L1610TC1001	I C	
IC0901	TA48M025F-X	I.C. (M)	
IC0902	TA48M033F-X	I.C. (M)	
IC0903	MM1437AF-X	I.C. (MONO-ANA)	
OTHERS			
CN0001	QGB1505K1-50	CONNECTOR	
LC0001	NQR0313-007X	EMI FILTER	
LC0002	NQR0431-001X	EMI FILTER	
K0001	NQR0360-002X	FERRITE BEADS	
K0002	NQR0389-003X	FERRITE BEADS	
K0003	NRSA63J-OROX	MG R	0.0Ω 1/16W J
K0004	NQR0389-003X	FERRITE BEADS	
K0005	NRSA63J-OROX	MG R	0.0Ω 1/16W J
X0001	QAX0669-001Z	XTAL	

△ Symbol No.	Part No.	Part Name	Description
RESISTOR			
R0101-09	NRSA63J-750X	MG R	75Ω 1/16W J
R0110-11	NRSA63J-103X	MG R	10kΩ 1/16W J
R0112-13	NRSA63J-823X	MG R	82kΩ 1/16W J
R0114	NRSA63J-333X	MG R	33kΩ 1/16W J
R0115	NRSA63J-473X	MG R	47kΩ 1/16W J
R0116	NRSA63J-823X	MG R	82kΩ 1/16W J
R0117	NRSA63J-223X	MG R	22kΩ 1/16W J
R0118	NRSA63J-473X	MG R	47kΩ 1/16W J
R0119	NRSA63J-153X	MG R	15kΩ 1/16W J
R0120	NRSA63J-273X	MG R	27kΩ 1/16W J
R0121	NRSA63J-222X	MG R	2.2kΩ 1/16W J
R0122	NRSA63J-473X	MG R	47kΩ 1/16W J
R0123	NRSA63J-823X	MG R	82kΩ 1/16W J
R0124	NRSA63J-153X	MG R	15kΩ 1/16W J
R0125	NRSA63J-223X	MG R	22kΩ 1/16W J
R0126	NRSA63J-473X	MG R	47kΩ 1/16W J
R0127	NRSA63J-273X	MG R	27kΩ 1/16W J
R0128-29	NRSA63J-823X	MG R	82kΩ 1/16W J
R0130-31	NRSA63J-391X	MG R	390Ω 1/16W J
R0132	NRSA63J-222X	MG R	2.2kΩ 1/16W J
R0133	NRSA63J-333X	MG R	33kΩ 1/16W J
R0134	NRSA63J-222X	MG R	2.2kΩ 1/16W J
R0135	NRSA63J-333X	MG R	33kΩ 1/16W J
R0136	NRSA63J-103X	MG R	10kΩ 1/16W J
R0137	NRSA63J-222X	MG R	2.2kΩ 1/16W J
R0138-39	NRSA63J-333X	MG R	33kΩ 1/16W J
R0140	NRSA63J-222X	MG R	2.2kΩ 1/16W J
R0141	NRSA63J-333X	MG R	33kΩ 1/16W J
R0142	NRSA63J-222X	MG R	2.2kΩ 1/16W J
R0143-44	NRSA63J-333X	MG R	33kΩ 1/16W J
R0145	NRSA63J-103X	MG R	10kΩ 1/16W J
R0146	NRSA63J-473X	MG R	47kΩ 1/16W J
R0147	NRSA63J-223X	MG R	22kΩ 1/16W J
R0148-49	NRSA63J-391X	MG R	390Ω 1/16W J
R0150-51	NRSA63J-104X	MG R	100kΩ 1/16W J
R0152-67	NRSA63J-101X	MG R	100Ω 1/16W J
R0168	NRSA63J-750X	MG R	75Ω 1/16W J
R0169	NRSA63J-222X	MG R	2.2kΩ 1/16W J
R0170	NRSA63J-333X	MG R	33kΩ 1/16W J
R0171	NRSA63J-750X	MG R	75Ω 1/16W J
R0172	NRSA63J-222X	MG R	2.2kΩ 1/16W J
R0173	NRSA63J-333X	MG R	33kΩ 1/16W J
R0174	NRSA63J-750X	MG R	75Ω 1/16W J
R0175	NRSA63J-333X	MG R	33kΩ 1/16W J
R0176	NRSA63J-103X	MG R	10kΩ 1/16W J
R0177	NRSA63J-823X	MG R	82kΩ 1/16W J
R0178	NRSA63J-153X	MG R	15kΩ 1/16W J
R0179	NRSA63J-473X	MG R	47kΩ 1/16W J
R0180	NRSA63J-273X	MG R	27kΩ 1/16W J
R0181-82	NRSA63J-562X	MG R	5.6kΩ 1/16W J
R0183-84	NRSA63J-102X	MG R	1kΩ 1/16W J
R0185-90	NRSA63J-101X	MG R	100Ω 1/16W J
R0191	NRSA63J-222X	MG R	2.2kΩ 1/16W J
R0192	NRSA63J-101X	MG R	100Ω 1/16W J
R0194-95	NRSA63J-221X	MG R	220Ω 1/16W J
R0196	QRG01GJ-101	OM R	100Ω 1W J
R0197	QRK126J-181X	C R	180Ω 1/2W J
R0198	NRSA63J-750X	MG R	75Ω 1/16W J
R0199	NRSA63J-101X	MG R	100Ω 1/16W J
R0200	NRSA63J-750X	MG R	75Ω 1/16W J
R0201	QRK126J-151X	C R	150Ω 1/2W J
R0203-05	NRSA63J-750X	MG R	75Ω 1/16W J
CAPACITOR			
C0101-10	NCB31HK-472X	C CAP.	4700pF 50V K
C0111-12	QETN1CM-477Z	E CAP.	470μF 16V M
C0113-14	NCB31HK-102X	C CAP.	1000pF 50V K
C0115-17	QETN1HM-106Z	E CAP.	10μF 50V M
C0118-19	QETN1HM-105Z	E CAP.	1μF 50V M
C0120	NCB31HK-103X	C CAP.	0.01μF 50V K
C0121	QETN1HM-105Z	E CAP.	1μF 50V M
C0122	QETN1HM-106Z	E CAP.	10μF 50V M

■ 100Hz P.W. BOARD ASS'Y (SMF0Z005A-U2)

△ Symbol No.	Part No.	Part Name	Description
CAPACITOR			
C0123	QETN1HM-105Z	E CAP.	1μF 50V M
C0124	NCB31HK-103X	C CAP.	0.01μF 50V K
C0125	NCB31HK-102X	C CAP.	1000pF 50V K
C0126-28	QETN1HM-106Z	E CAP.	10μF 50V M
C0129	QETN1HM-105Z	E CAP.	1μF 50V M
C0130	NCB31HK-103X	C CAP.	0.01μF 50V K
C0131	QETN1HM-105Z	E CAP.	1μF 50V M
C0132	NCB31HK-103X	C CAP.	0.01μF 50V K
C0133	QETN1HM-106Z	E CAP.	10μF 50V M
C0134	QETN1HM-105Z	E CAP.	1μF 50V M
C0135	QETN1HM-106Z	E CAP.	10μF 50V M
C0136	QETN1HM-105Z	E CAP.	1μF 50V M
C0137	NCB31HK-103X	C CAP.	0.01μF 50V K
C0138-39	QENC1HM-105Z	BP E CAP.	1μF 50V M
C0140	QENC1EM-106Z	BP E CAP.	10μF 25V M
C0141-47	NCB31HK-103X	C CAP.	0.01μF 50V K
C0148	QETN1HM-106Z	E CAP.	10μF 50V M
C0149	QENC1EM-106Z	BP E CAP.	10μF 25V M
C0150-51	QETN1CM-107Z	E CAP.	100μF 16V M
C0152	QETN1CM-477Z	E CAP.	470μF 16V M
C0153	NCB31HK-103X	C CAP.	0.01μF 50V K
C0154	QETN1CM-107Z	E CAP.	100μF 16V M
C0155	NDC31HJ-150X	C CAP.	15pF 50V J

COIL

L0101	QQR0716-001Z	LEAD CORE
-------	--------------	-----------

DIODE

D0101-04	MA3056/M/-X	ZENER DIODE
D0109-13	MA3120/M/-X	ZENER DIODE
D0114	MA3039/H/-X	ZENER DIODE
D0115-17	MA3056/M/-X	ZENER DIODE

TRANSISTOR

Q0101-02	2SC2412K/QR/-X	SI. TRANSISTOR
Q0103-05	DTC323TK-X	DIGI. TRANSISTOR
Q0106-09	2SC2412K/QR/-X	SI. TRANSISTOR
Q0110	2SA1037AK/QR/-X	SI. TRANSISTOR
Q0111	DTC323TK-X	DIGI. TRANSISTOR
Q0112	2SA1037AK/QR/-X	SI. TRANSISTOR
Q0113-15	2SC2412K/QR/-X	SI. TRANSISTOR
Q0116	2SA933AS/QR/-T	SI. TRANSISTOR
Q0117	2SC1740S/QR/-T	SI. TRANSISTOR

IC

IC0101	CXA2069Q	I C
--------	----------	-----

OTHERS

CN0001	QGB1505K1-50	CONNECTOR
J0001	QNZ0465-001	PIN CONNECTOR
J0002	QNZ0463-001	PIN CONNECTOR
K0101-04	CE42681-001Y	BEADS CORE

△ Symbol No.	Part No.	Part Name	Description
RESISTOR			
R0001-06	NRSA63J-0R0X	MG R	0.0Ω 1/16W J
R0008-09	NRSA63J-0R0X	MG R	0.0Ω 1/16W J
R0010-12	NRSA63J-101X	MG R	100Ω 1/16W J
R0101	NRSA63J-332X	MG R	3.3kΩ 1/16W J
R0102-03	NRSA63J-222X	MG R	2.2kΩ 1/16W J
R0104	NRSA63J-332X	MG R	3.3kΩ 1/16W J
R0105-06	NRSA63J-222X	MG R	2.2kΩ 1/16W J
R0107-13	NRSA63J-750X	MG R	75Ω 1/16W J
R0122-23	NRSA63J-0R0X	MG R	0.0Ω 1/16W J
R0124-25	NRSA63J-101X	MG R	100Ω 1/16W J
R0132-39	NRSA63J-100X	MG R	10Ω 1/16W J
R0141	NRSA63J-100X	MG R	10Ω 1/16W J
R0201	NRSA63J-121X	MG R	120Ω 1/16W J
R0202-03	NRSA63J-101X	MG R	100Ω 1/16W J
R0204-05	NRSA63J-0R0X	MG R	0.0Ω 1/16W J
R0214	NRSA63J-0R0X	MG R	0.0Ω 1/16W J
R0217	NRSA63J-103X	MG R	10kΩ 1/16W J
R0218	NRSA63J-333X	MG R	33kΩ 1/16W J
R0219	NRSA63J-103X	MG R	10kΩ 1/16W J
R0220	NRSA63J-822X	MG R	8.2kΩ 1/16W J
R0226-42	NRSA63J-0R0X	MG R	0.0Ω 1/16W J
R0243-44	NRSA63J-103X	MG R	10kΩ 1/16W J
R0251	NRSA63J-222X	MG R	2.2kΩ 1/16W J
R0252	NRSA63J-750X	MG R	75Ω 1/16W J
R0254	NRSA63J-391X	MG R	390Ω 1/16W J
R0255-56	NRSA63J-221X	MG R	220Ω 1/16W J
R0257	NRSA63J-271X	MG R	270Ω 1/16W J
R0258	NRSA63J-272X	MG R	2.7kΩ 1/16W J
R0259	NRSA63J-472X	MG R	4.7kΩ 1/16W J
R0261	NRSA63J-222X	MG R	2.2kΩ 1/16W J
R0264	NRSA63J-391X	MG R	390Ω 1/16W J
R0271	NRSA63J-222X	MG R	2.2kΩ 1/16W J
R0274	NRSA63J-391X	MG R	390Ω 1/16W J
R0401	NRSA63J-473X	MG R	47kΩ 1/16W J
R0402	NRSA63J-472X	MG R	4.7kΩ 1/16W J
R0404	NRSA63J-0R0X	MG R	0.0Ω 1/16W J
R0407	NRSA63J-0R0X	MG R	0.0Ω 1/16W J
R0409	NRSA63J-0R0X	MG R	0.0Ω 1/16W J

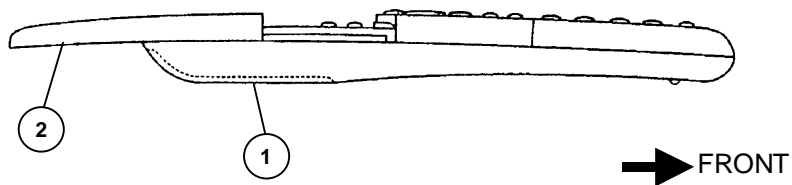
CAPACITOR

C0001	NCB31CK-104X	CHIP CAP.	0.1μF 16V K
C0002	NEH71CM-476X	E CAP.	47μF 16V M
C0003	NCB31CK-104X	CHIP CAP.	0.1μF 16V K
C0004	NEH71CM-476X	E CAP.	47μF 16V M
C0005	NCB31CK-104X	CHIP CAP.	0.1μF 16V K
C0006	NEH71CM-476X	E CAP.	47μF 16V M
C0007-09	NDC31HJ-4R0X	C CAP.	4.0pF 50V J
C0101	NEH71CM-106X	E CAP.	10μF 16V M
C0102	NCB31EK-473X	CHIP CAP.	0.047μF 25V K
C0103	NEH71CM-476X	E CAP.	47μF 16V M
C0104	NCB31HK-152X	CHIP CAP.	1500pF 50V K
C0105	NDC31HJ-102X	C CAP.	1000pF 50V J
C0106	NCB31CK-104X	CHIP CAP.	0.1μF 16V K
C0107	NCF31CZ-224X	C CAP.	0.22μF 16V Z
C0108	NCB31HK-152X	CHIP CAP.	1500pF 50V K
C0109	NDC31HJ-391X	C CAP.	390pF 50V J
C0110	NEH71CM-106X	E CAP.	10μF 16V M
C0111	NCB31EK-473X	CHIP CAP.	0.047μF 25V K
C0112	NDC31HJ-331X	C CAP.	330pF 50V J
C0113-18	NCF31CZ-224X	C CAP.	0.22μF 16V Z
C0119-24	NDC31HJ-331X	C CAP.	330pF 50V J
C0125-26	NDC31HJ-3R0X	C CAP.	3.0pF 50V J
C0128	NCB31CK-104X	CHIP CAP.	0.1μF 16V K
C0129	NCF31CZ-224X	C CAP.	0.22μF 16V Z
C0130	NDC31HJ-391X	C CAP.	390pF 50V J
C0131	NCB31HK-152X	CHIP CAP.	1500pF 50V K
C0132	NCB31EK-473X	CHIP CAP.	0.047μF 25V K
C0133	NCB31HK-152X	CHIP CAP.	1500pF 50V K
C0134	NCB31CK-683X	CHIP CAP.	0.068μF 16V K
C0136-37	NCB31CK-683X	CHIP CAP.	0.068μF 16V K
C0138	NCB31HK-152X	CHIP CAP.	1500pF 50V K
C0139	NCB31EK-473X	CHIP CAP.	0.047μF 25V K

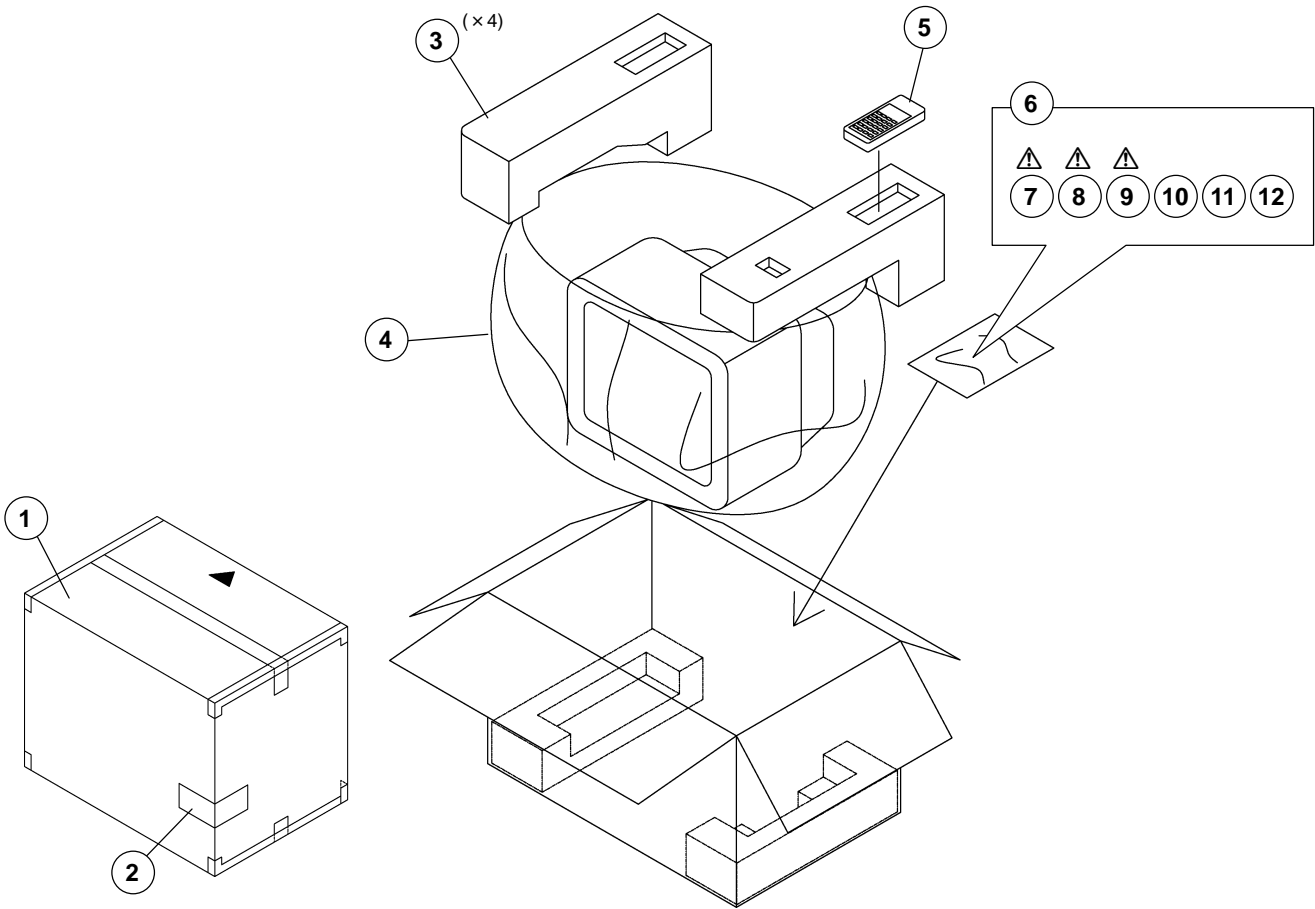
Symbol No.	Part No.	Part Name	Description
CAPACITOR			
C0140	NEH71CM-476X	E CAP.	47µF 16V M
C0201	NEH71CM-476X	E CAP.	47µF 16V M
C0202-05	NCB31CK-104X	CHIP CAP.	0.1µF 16V K
C0206	NEH71CM-476X	E CAP.	47µF 16V M
C0207-11	NCB31CK-104X	CHIP CAP.	0.1µF 16V K
C0212-13	NDC31HJ-180X	C CAP.	18pF 50V J
C0214-17	NCB31CK-104X	CHIP CAP.	0.1µF 16V K
C0218	NDC31HJ-561X	C CAP.	560pF 50V J
C0237-38	NEH71CM-106X	E CAP.	10µF 16V M
C0251	NDC31HJ-4R0X	C CAP.	4.0pF 50V J
C0252	NCB31CK-104X	CHIP CAP.	0.1µF 16V K
C0254	NDC31HJ-120X	C CAP.	12pF 50V J
C0255	NDC31HJ-270X	C CAP.	27pF 50V J
C0256	NEH71CM-106X	E CAP.	10µF 16V M
C0261	NDC31HJ-4R0X	C CAP.	4.0pF 50V J
C0262	NCB31CK-104X	CHIP CAP.	0.1µF 16V K
C0264	NDC31HJ-120X	C CAP.	12pF 50V J
C0265	NDC31HJ-270X	C CAP.	27pF 50V J
C0271	NDC31HJ-4R0X	C CAP.	4.0pF 50V J
C0272	NCB31CK-104X	CHIP CAP.	0.1µF 16V K
C0274	NDC31HJ-120X	C CAP.	12pF 50V J
C0275	NDC31HJ-270X	C CAP.	27pF 50V J
C0402-03	NCB31CK-104X	CHIP CAP.	0.1µF 16V K
C0404	NDC31HJ-330X	C CAP.	33pF 50V J
COIL			
L0001-03	NQL092K-1R5X	CHIP INDUCTOR	
L0101	NQL034K-150X	CHIP INDUCTOR	
L0102-08	NQL092K-3R3X	CHIP INDUCTOR	
L0109	NQL034K-6R8X	CHIP INDUCTOR	
L0201-03	NQL034K-100X	CHIP INDUCTOR	
L0209-10	NQL092K-1R5X	CHIP INDUCTOR	
L0251	NQL092K-5R6X	CHIP INDUCTOR	
L0261	NQL092K-5R6X	CHIP INDUCTOR	
L0271	NQL092K-5R6X	CHIP INDUCTOR	
DIODE			
D0401	MA111-X	SI DIODE	
TRANSISTOR			
Q0101-02	2SA1037AK/QR/-X	SI TRANSISTOR	
Q0201	2SA1037AK/QR/-X	SI TRANSISTOR	
Q0251-52	2SA1037AK/QR/-X	SI TRANSISTOR	
Q0253	2SC2412K/QR/-X	SI TRANSISTOR	
Q0261	2SA1037AK/QR/-X	SI TRANSISTOR	
Q0271	2SA1037AK/QR/-X	SI TRANSISTOR	
IC			
IC0101	VPC3230D-QA-B3	I C	
IC0201	SAA4979H/V1	I C	
IC0401	S-80828ANNP-W	I C	
IC0402	TC7WH34FU-X	I C	
OTHERS			
CN0003	QGB1505K1-50	CONNECTOR	
LC0010-12	NQR0313-009X	EMI FILTER	
LC0013	NQR0313-004X	EMI FILTER	
LC0014-15	NQR0313-007X	EMI FILTER	
X0101	QAX0655-001Z	XTAL	
X0201	QAX0273-001Z	CRYSTAL	

REMOTE CONTROL UNIT PARTS LIST

△ Ref.No.	Part No.	Part Name	Description
AV28WH5EUS (RM-C54-1C)			
1	2AA030733	BATTERY COVER	
2	2AA030732	SLIDE COVER	
AV28WH5EUB (RM-C50-1C)			
1	2AA027770	BATTERY COVER	
2	2AA027761	SLIDE COVER	



PACKING



PACKING PARTS LIST

△ Ref.No. Part No. Part Name Description

AV28WH5EUS

1	AEM1002-A67-E	PACKING CASE	
2	AEM1052-067-E	EURO LABEL	
3	LC10522-002B-U	CUSHION ASSY	4pcs in 1set
4	AEM1047-003-E	POLY BAG	
5	RM-C54-1C	REMOCON UNIT	
6	AEM3021-002-E	POLY BAG	
△ 7	LCT0932-001A-U	INST BOOK	
△ 8	LCT0933-001A-U	INST BOOK	
△ 9	LCT0934-001A-U	INST BOOK	
10	BT-54013-1E	WARRANTY CARD	
11	AEM1062-001A-E	X-RAY CARD	
12	28WH5EU-HSAE	S. DIAGRAM	

AV28WH5EUB

1	AEM1002-A67-E	PACKING CASE	
2	AEM1052-073-E	EURO LABEL	
3	LC10522-002B-U	CUSHION ASSY	4pcs in 1set
4	AEM1047-003-E	POLY BAG	
5	RM-C50-1C	REMOCON UNIT	
6	AEM3021-002-E	POLY BAG	
△ 7	LCT0932-001A-U	INST BOOK	
△ 8	LCT0933-001A-U	INST BOOK	
△ 9	LCT0934-001A-U	INST BOOK	
10	BT-54013-1E	WARRANTY CARD	
11	AEM1062-001A-E	X-RAY CARD	
12	28WH5EU-HSAE	S. DIAGRAM	